

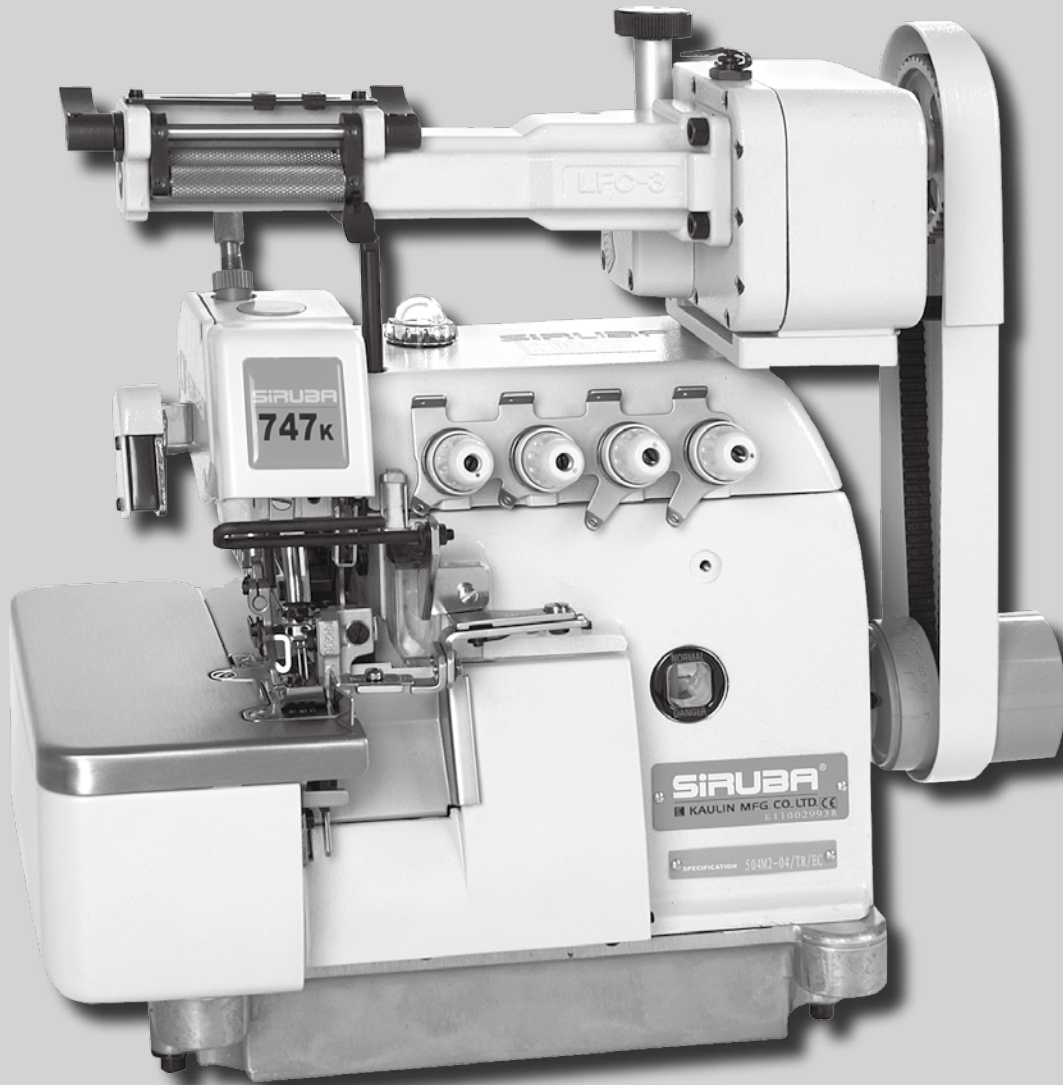
# SIRUBA®

銀箭牌工業用縫紉機

INDUSTRIAL SEWING MACHINE

# 700K ATTACHMENT

## 零件圖 PARTS LIST



CE



高林股份有限公司  
KAULIN MFG. CO., LTD.

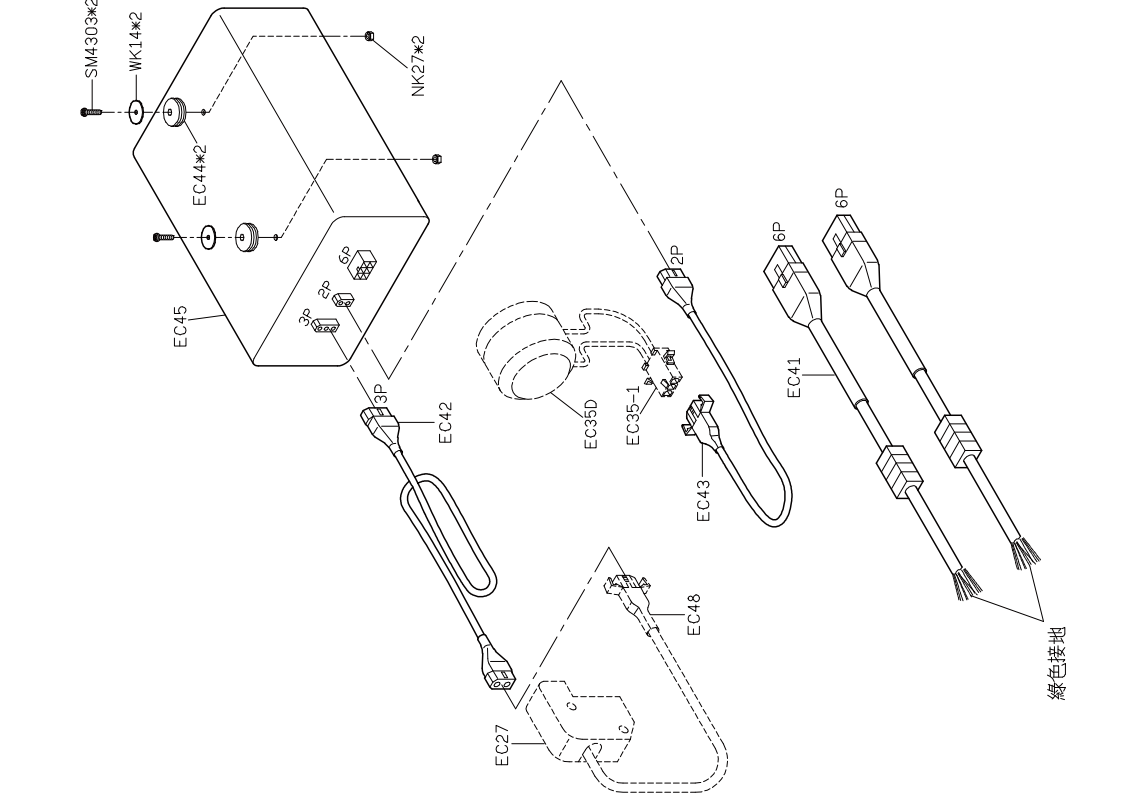
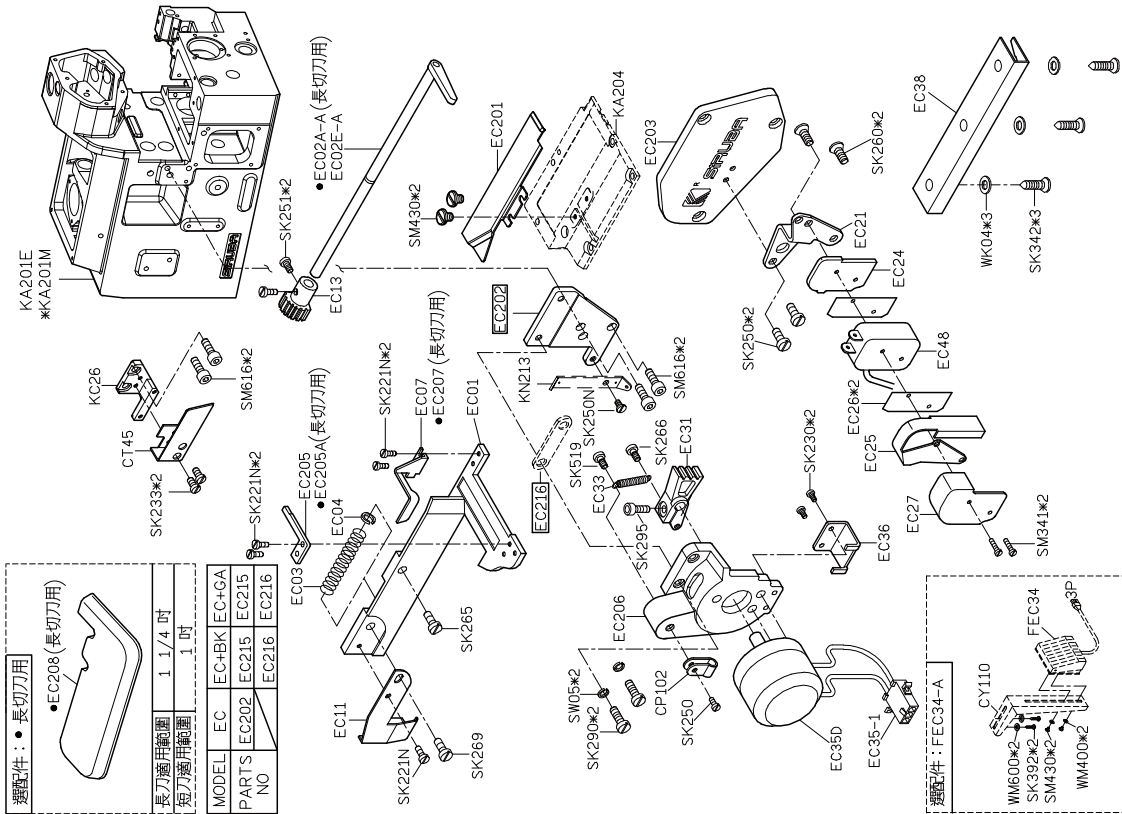




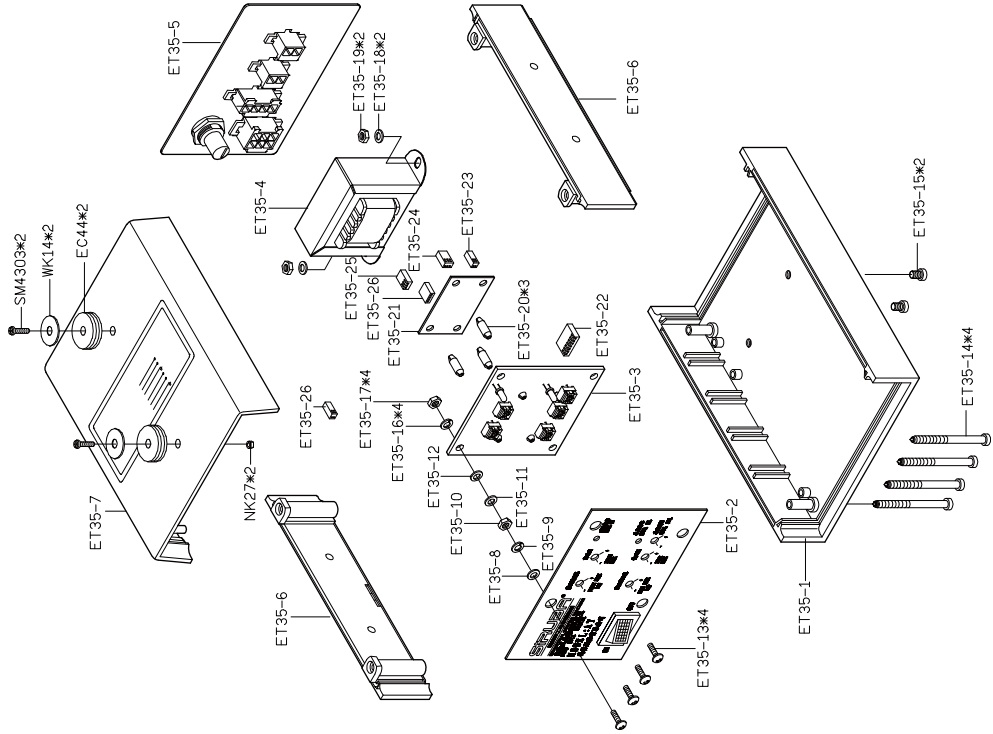
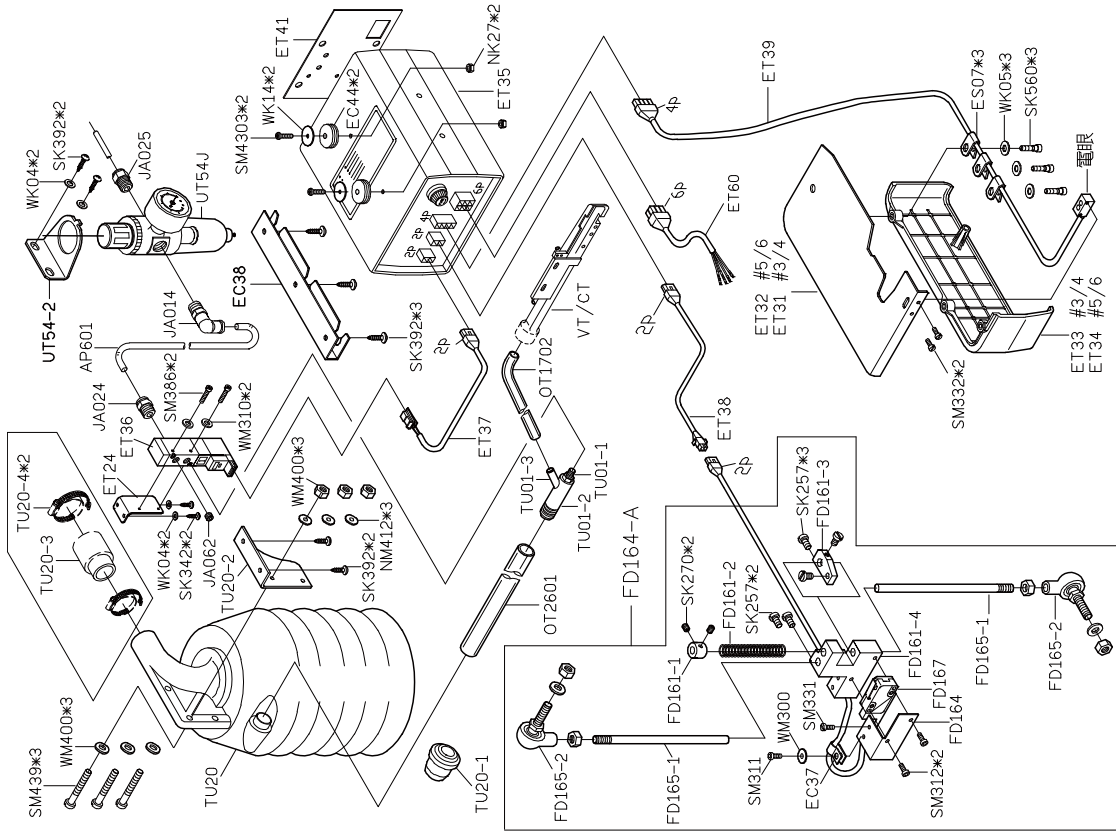
選配件：●長切刀用



|          |                                     |
|----------|-------------------------------------|
| 長刀適用機種   | 1 1/4 吋                             |
| 短刀適用機種   | 1 吋                                 |
| MODEL    | EC EC+BK EC+GA                      |
| PARTS NO | EC202 EC215 EC215 EC216 EC216 EC216 |

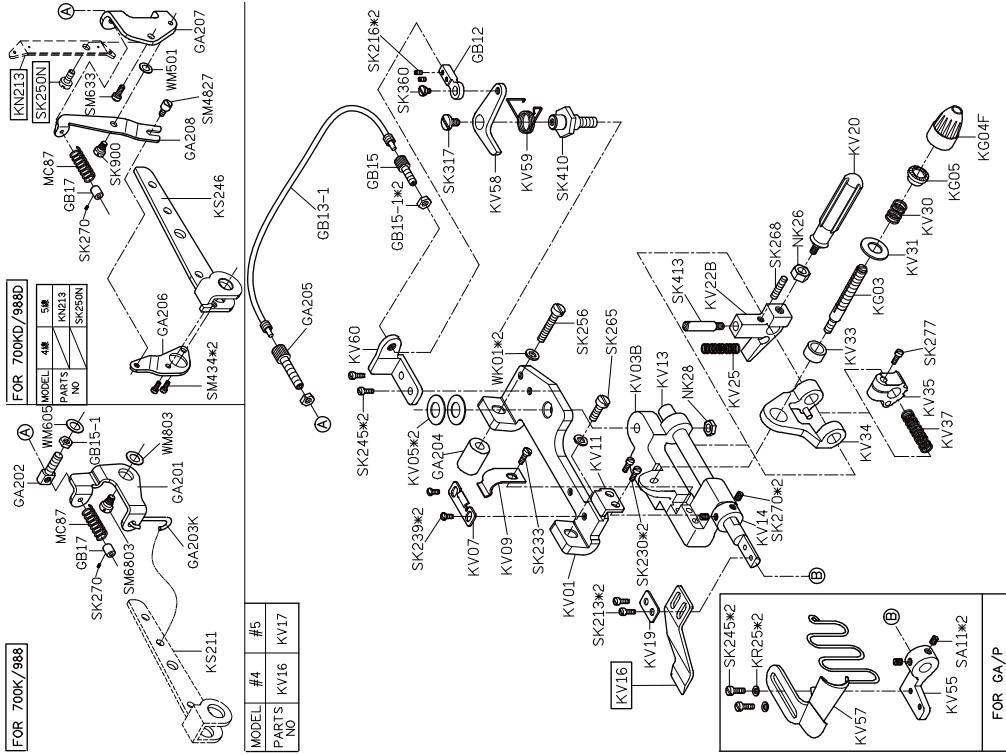


綠色接地



# PARTS LIST FOR GA GROUP

# PARTS LIST FOR KU60-A GROUP



FOR 700K/988

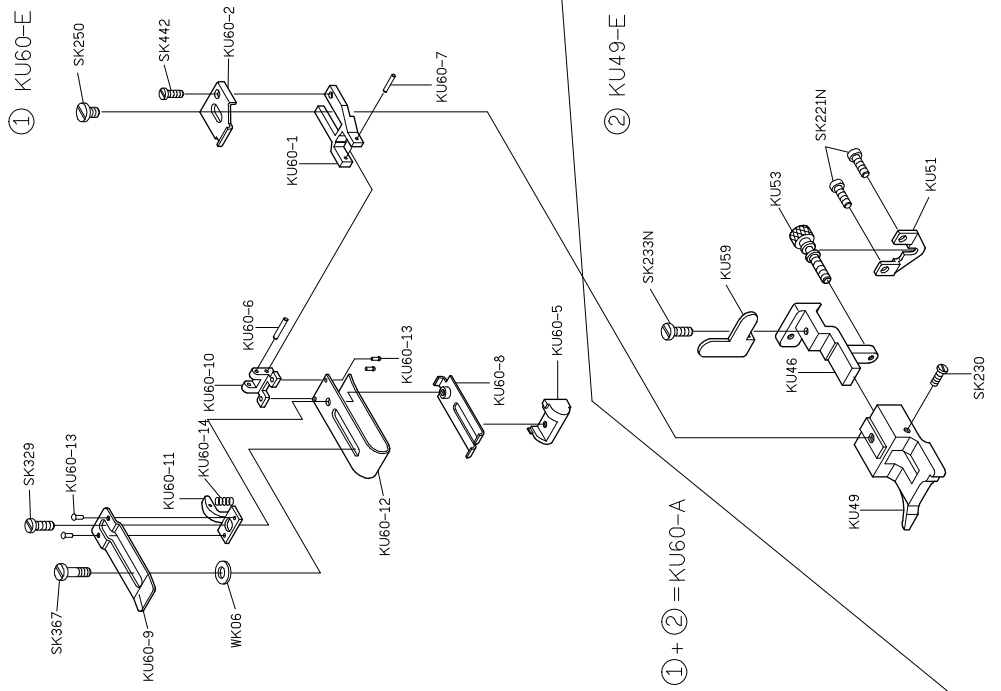
FOR 700KD/988D

| MODEL  | #4   | #5   |
|--------|------|------|
| WV605  | KV16 | KV17 |
| PN213  |      |      |
| SK250N |      |      |

| MODEL  | #4   | #5   |
|--------|------|------|
| WV605  | KV16 | KV17 |
| PN213  |      |      |
| SK250N |      |      |

| MODEL  | #4   | #5   |
|--------|------|------|
| WV605  | KV16 | KV17 |
| PN213  |      |      |
| SK250N |      |      |

FOR GA/P



① KU60-E

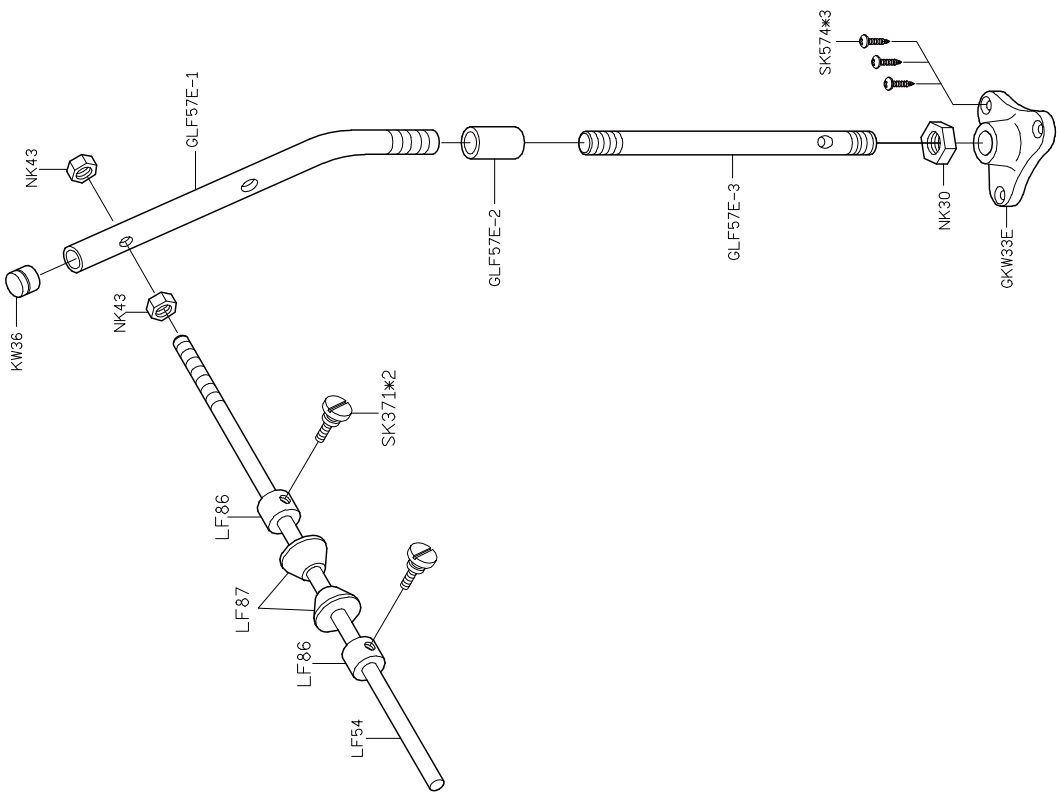
② KU49-E

① + ② = KU60-A

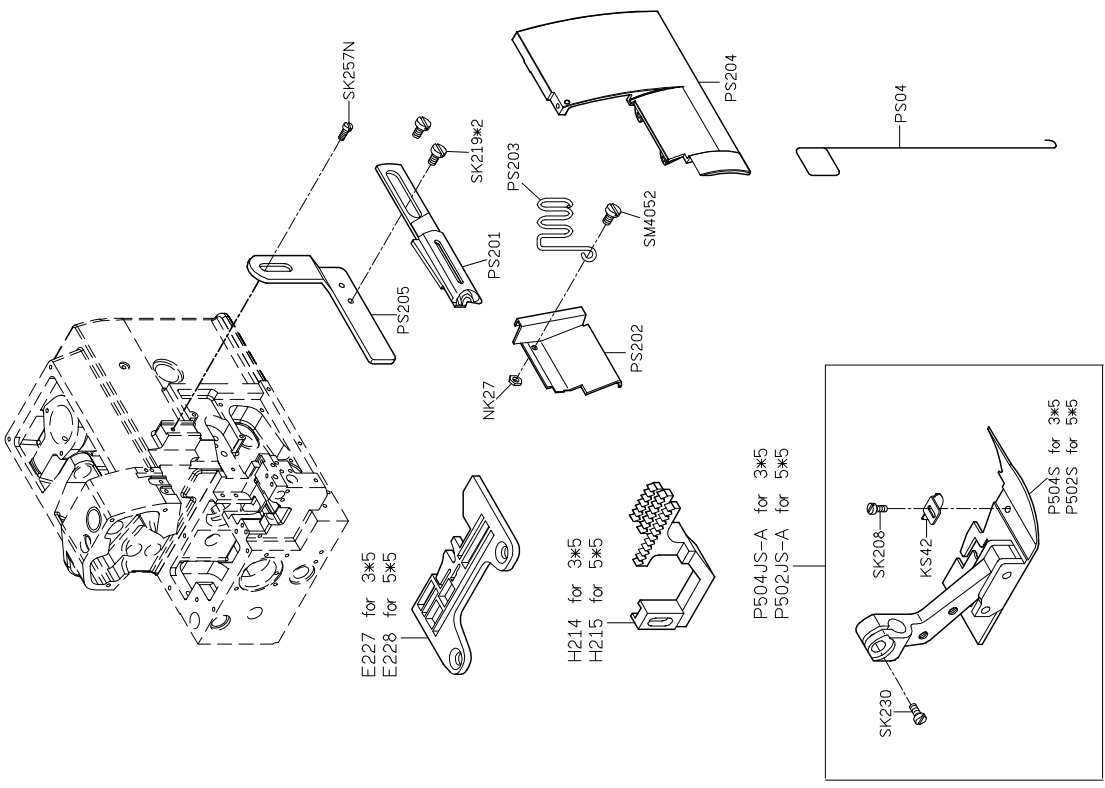




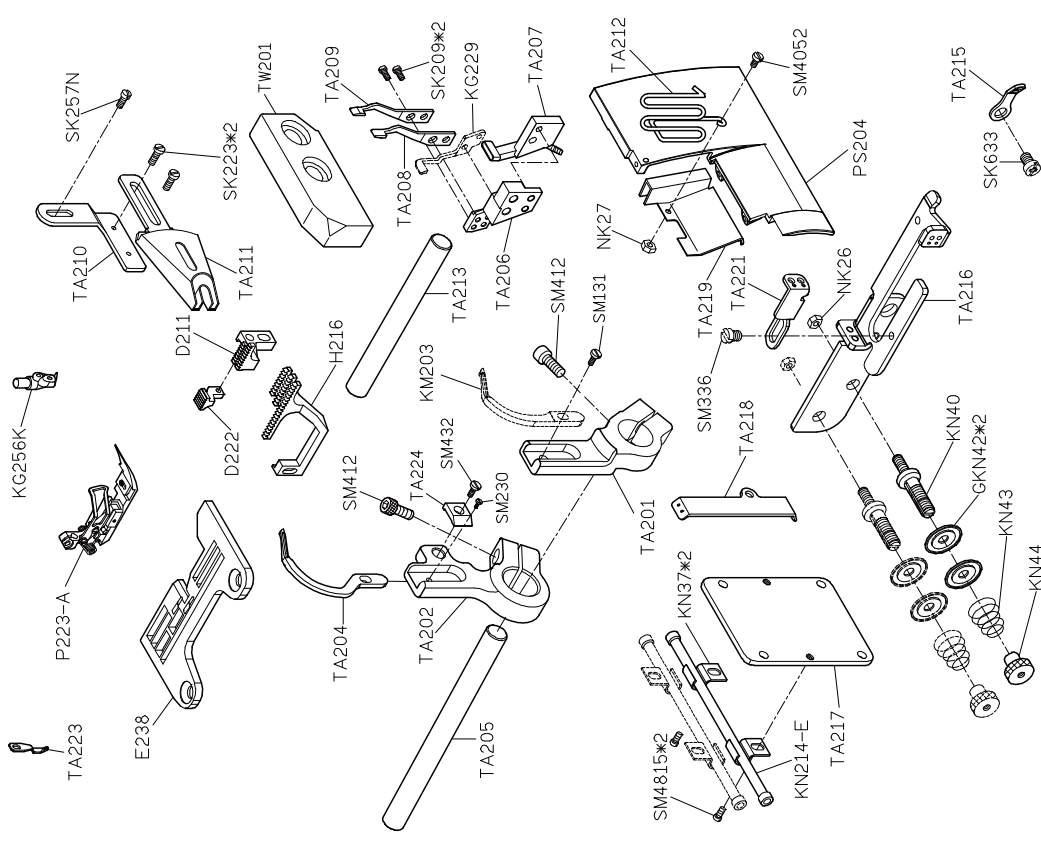
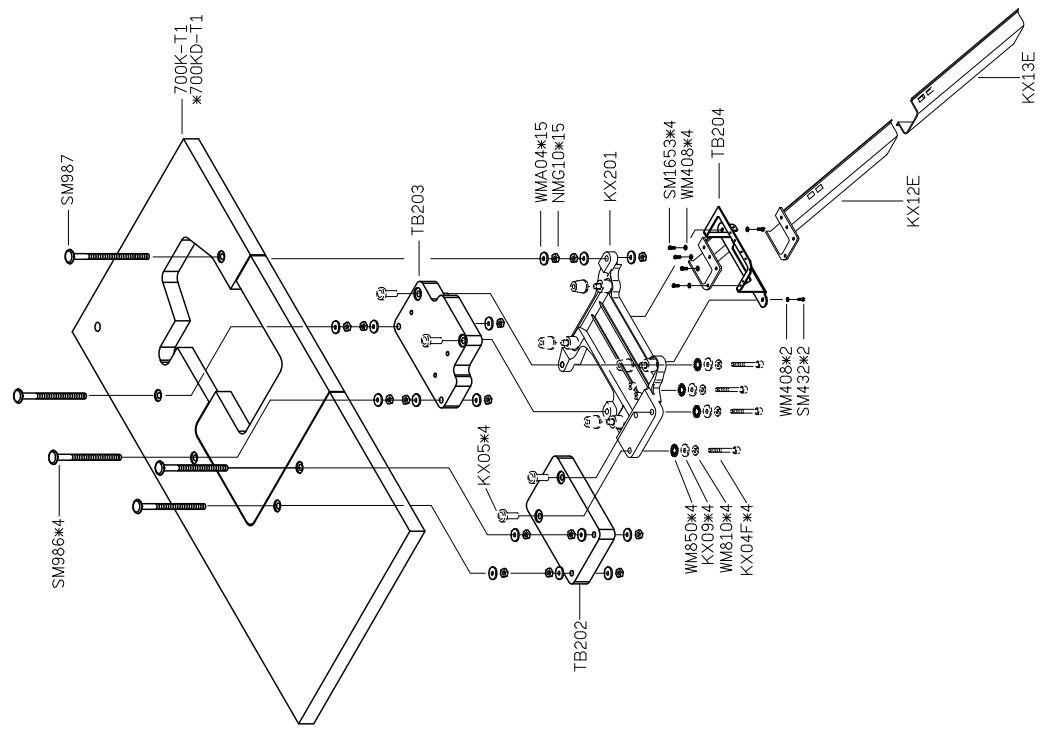
# PARTS LIST FOR LS GROUP



# PARTS LIST FOR PS GROUP







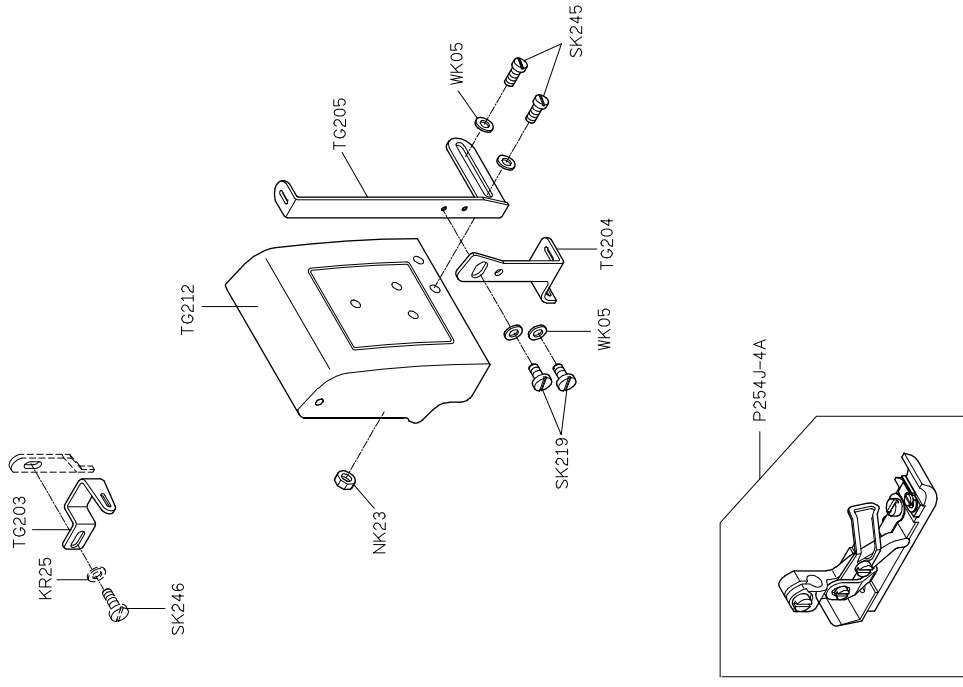
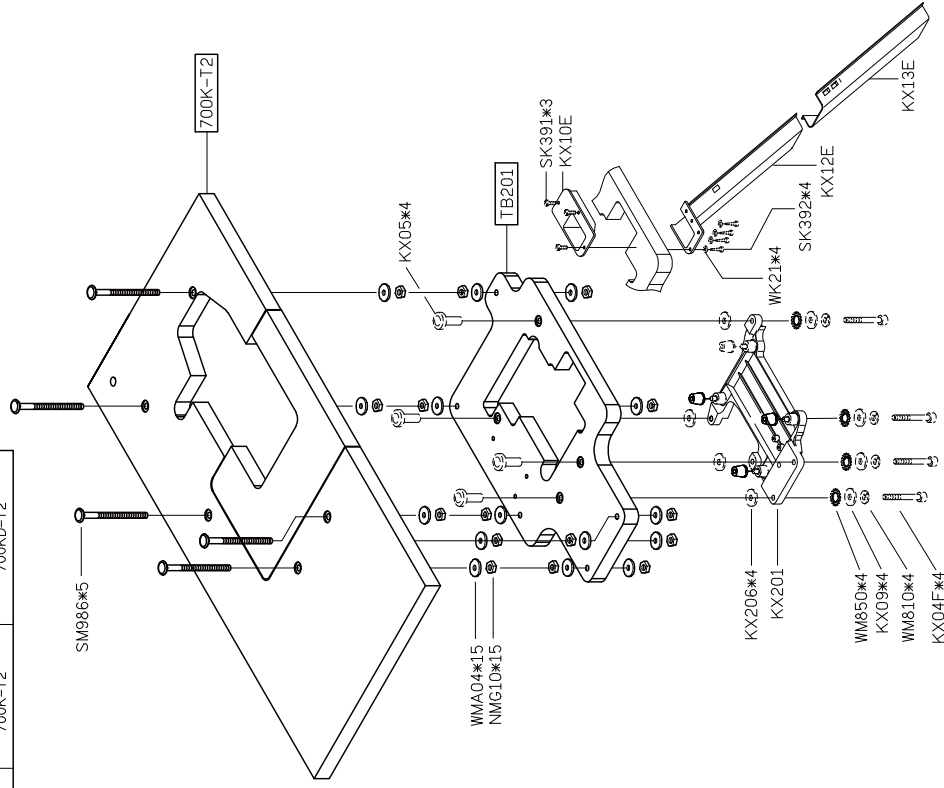
PARTS LIST FOR TA GROUP

PARTS LIST FOR TBK GROUP

# PARTS LIST FOR TBK-TBD GROUP

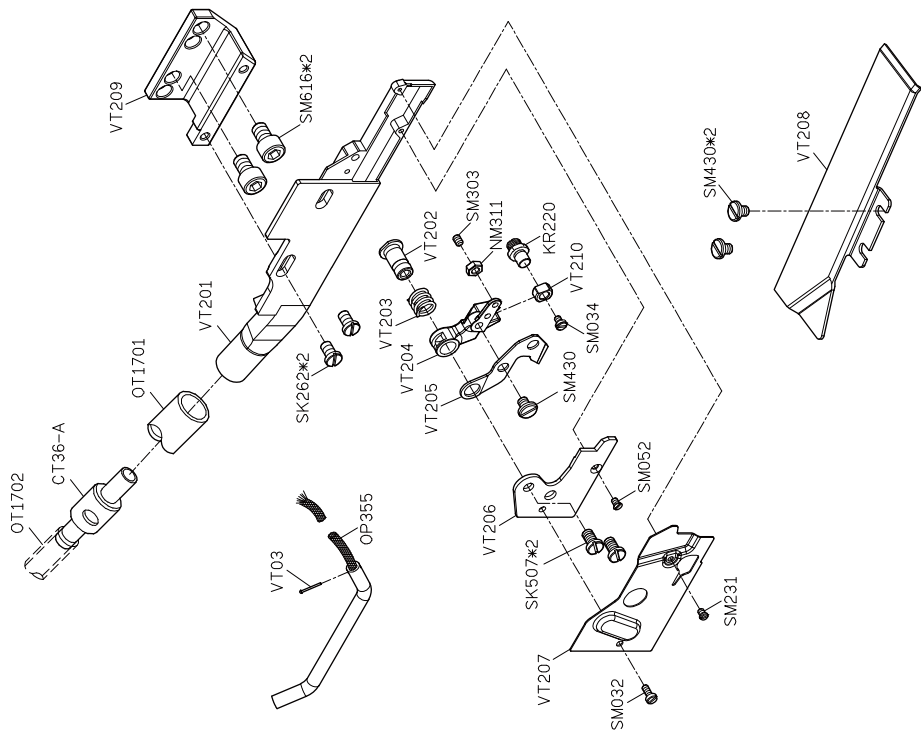
# PARTS LIST FOR TG GROUP

| MODEL    | TBK-1 (700K/988M) | TBKD-1 (700KD/988D/M) |
|----------|-------------------|-----------------------|
| PARTS NO | TB201<br>700K-T2  | TB201D<br>700KD-T2    |

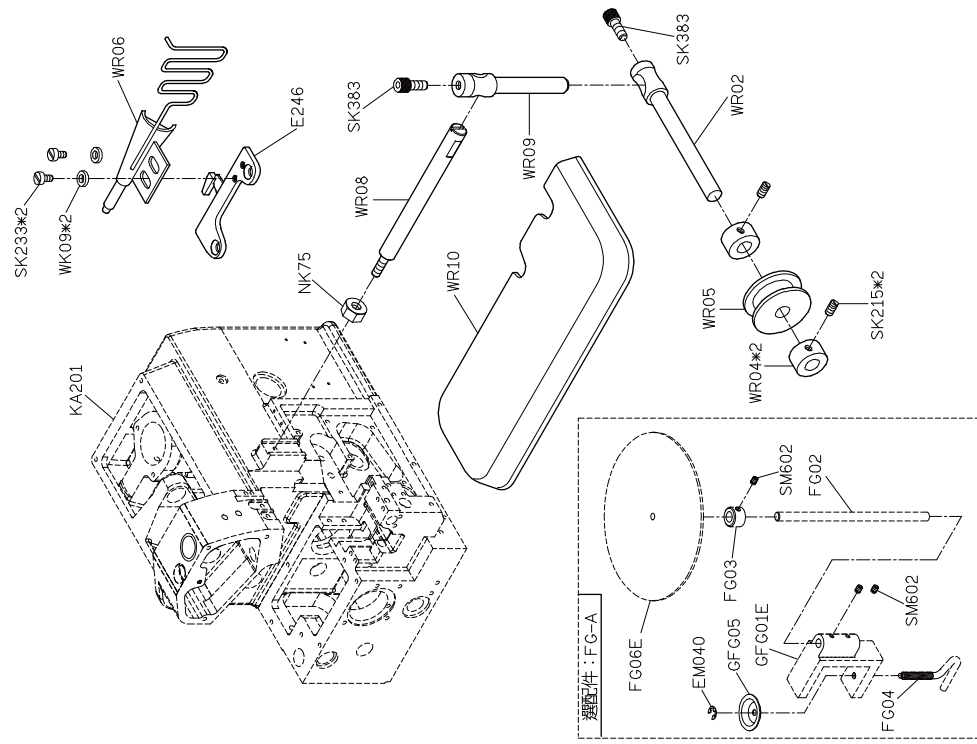




# PARTS LIST FOR VT GROUP



# PARTS LIST FOR WR GROUP













# 700K

## ATTACHMENT

高林股份有限公司 KAULIN MFG. CO., LTD.